

Barracuda Firewalls Rely on R&S®PACE 2

How deep packet inspection enables security and traffic control of critical enterprise cloud applications


ROHDE & SCHWARZ
Cybersecurity

Security
made
in
Germany



Challenge & Solution



Barracuda's cloud-ready firewalls utilize the deep packet inspection (DPI) engine R&S®PACE 2 to achieve reliable application visibility, which allows for controlling network traffic and for facilitating the secure delivery of critical cloud business applications.

Summary

Area of Business

- IT security vendor, providing networking, security and storage products based on network appliances and cloud services

Challenge

- Full traffic visibility in order to set up advanced security and traffic management policies
- Secure and control enterprise applications hosted in public clouds
- Guarantee uninterrupted network availability and operational continuity

Solution

- Embedding the DPI engine R&S®PACE 2 in the NextGen Firewall F-Series to classify applications running on the network in real time

Benefits

- The firewalls can granularly control what applications are permitted, prioritized or de-prioritized for access
- Maximized return on investment (ROI) and reduced total cost of ownership (TCO) by sourcing R&S®PACE 2

Challenge

When Barracuda first engaged with Rohde&Schwarz Cybersecurity in 2007, enterprises were most concerned about the unauthorized use of Skype, other P2P applications and instant messaging. Of course, the need for application control and awareness remains. Still, enterprise concerns are shifting to securing enterprise applications hosted in private and public clouds, protecting east-west data center traffic and preventing unwanted traffic and malware on the corporate network.

Fast and reliable application classification using deep packet inspection (DPI) remains a prerequisite for a firewall solution to enable advanced security and traffic management policies. A trustworthy (or dependable) solution is necessary as firewall vendors today face multiple challenges. Varying from protecting highly complex distributed networks on both physical and virtual infrastructure, growing numbers of mobile workers accessing enterprise cloud applications, such as Office 365 and Salesforce CRM. In the cloud era, network firewalls are more than just security devices, they must ensure network availability across distributed networks.

The challenges faced by Barracuda included:

- Protecting dispersed enterprise networks that rely on cloud computing, software as a service (SaaS) and an increasingly mobile workforce
- Ensuring up-to-date application security policies amid the rise of Shadow IT (e.g. BYOD: employees bringing their own apps and mobile devices to the workplace)
- Having a high-performance DPI engine that receives regular application and protocol updates without the need to increase internal R&D expenses and investment in signature plug-ins and maintenance
- Providing a greater return on investment (ROI) through additional services

Solution

By embedding the deep packet inspection engine R&S®PACE 2 from Rohde&Schwarz Cybersecurity at the core of their NextGen firewall F-Series, Barracuda is able to classify network applications up to Layer 7.

R&S®PACE 2 provides a powerful and extremely reliable detection and classification of thousands of applications and their attributes through combining deep packet inspection and behavioral traffic analysis – regardless of whether the protocols use advanced obfuscation, port hopping techniques or encryption.

Being embedded in Barracuda's F-Series firewalls, R&S®PACE 2 enables Barracuda to identify protocols like Voice over IP (VoIP) while maintaining a high bandwidth, even if settings are being changed to reprioritize applications on the fly (dynamic Quality of Service (QoS) settings).

This improves site-to-site connectivity and enables uninterrupted access to applications hosted in the cloud, all while simplifying the administration of network operations for enterprises and managed services providers.

Additionally, real-time visibility and visibility of traffic history on the corporate network provides a basis for decisions on which connections should be given bandwidth prioritization, which is the crucial factor for QoS optimization for business-critical applications. It also helps refine the corporate policies for the usage of applications.

Benefits

By embedding the deep packet inspection engine R&S®PACE 2, Barracuda is able to:

- ▮ Manage network traffic volumes
- ▮ Quickly and accurately identify Layer-7 applications for real-time security and policy control
- ▮ Detect the newest applications (encrypted or unencrypted)
- ▮ Preserve bandwidth and speed up business-critical applications to ensure business continuity
- ▮ Reduce costs associated with developing, implementing, QA-testing and maintaining an in-house DPI

Added Benefits of R&S®PACE 2:

- ▮ Weekly signature updates
- ▮ Highest classification accuracy in the DPI market
- ▮ Fast performance and low memory footprint
- ▮ Maximized return on investment (ROI)
- ▮ Reduced total cost of ownership (TCO)

“We are committed to provide award-winning products and excellent support for our customers and partners. This is only possible if our technology partners can live up to the same high expectations and standards. Throughout our entire partnership we have always felt very well looked after by Rohde & Schwarz Cybersecurity who have always been highly committed to provide a timely solution to any problem.”

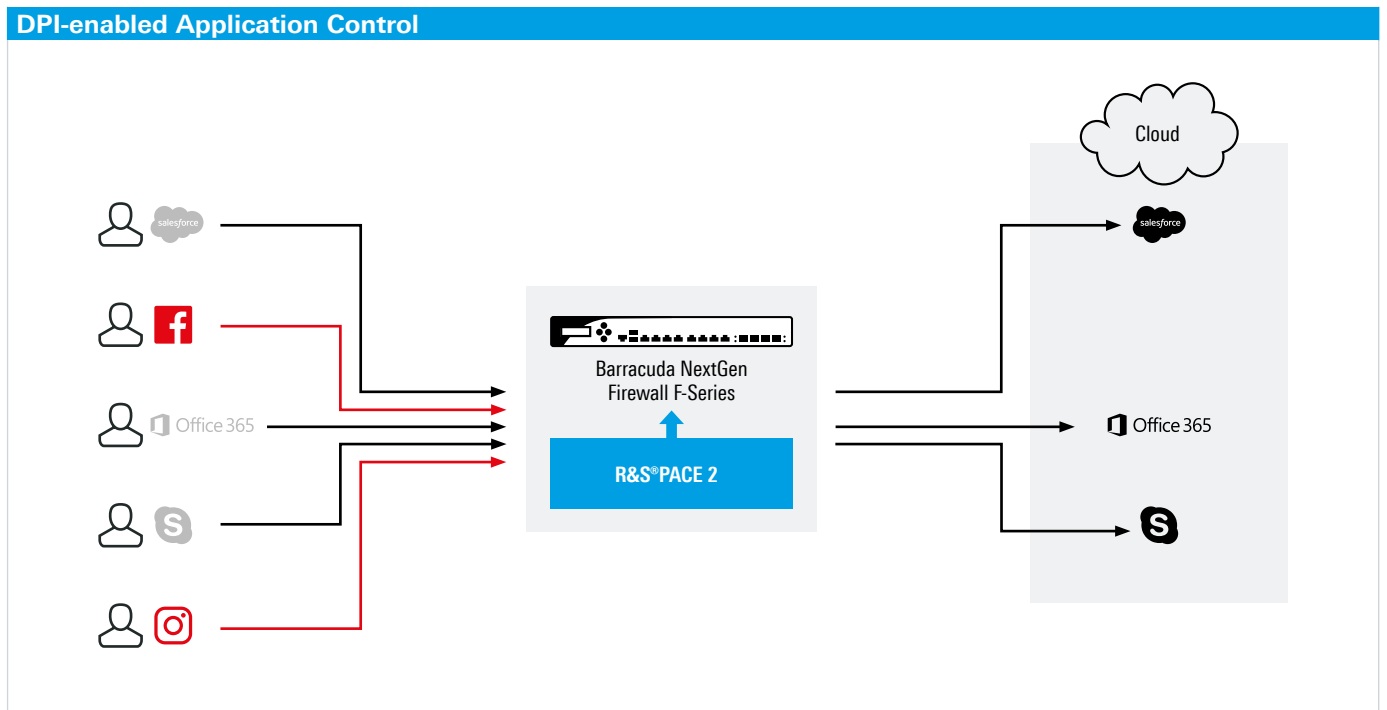
Dr. Klaus M. Gheri, VP & GM, Network Security, Barracuda

Result

As a result, Barracuda’s F-Series virtual and cloud-based firewalls are enhanced to facilitate real-time policy and security management in order to protect today’s enterprise distributed networks of office sites, data centers and mobile workers. This has increased their customers’ satisfaction by providing a trusted network protection solution.

By sourcing the DPI engine R&S®PACE 2, Barracuda has been empowered to focus on their core product and on what makes them and their services unique within the market.

Convinced by the benefits of R&S®PACE 2, Barracuda decided to embed the Rohde & Schwarz Cybersecurity DPI engine into their product Web Security Gateway.



Rohde & Schwarz Cybersecurity GmbH

Muehldorfstrasse 15 | 81671 Munich, Germany

Info: +49 30 65884-223

Email: cybersecurity@rohde-schwarz.com

www.cybersecurity.rohde-schwarz.com

Rohde & Schwarz GmbH & Co. KG

www.rohde-schwarz.com

R&S® is a registered trademark of Rohde & Schwarz GmbH & Co. KG

Trade names are trademarks of the owners

PD 5215.4230.32 | Version 01.00 | November 2017 (sch)

Barracuda Firewalls Rely on R&S®PACE 2

Data without tolerance limits is not binding | Subject to change

© 2017 Rohde & Schwarz Cybersecurity GmbH | 81671 Munich, Germany



5215423032