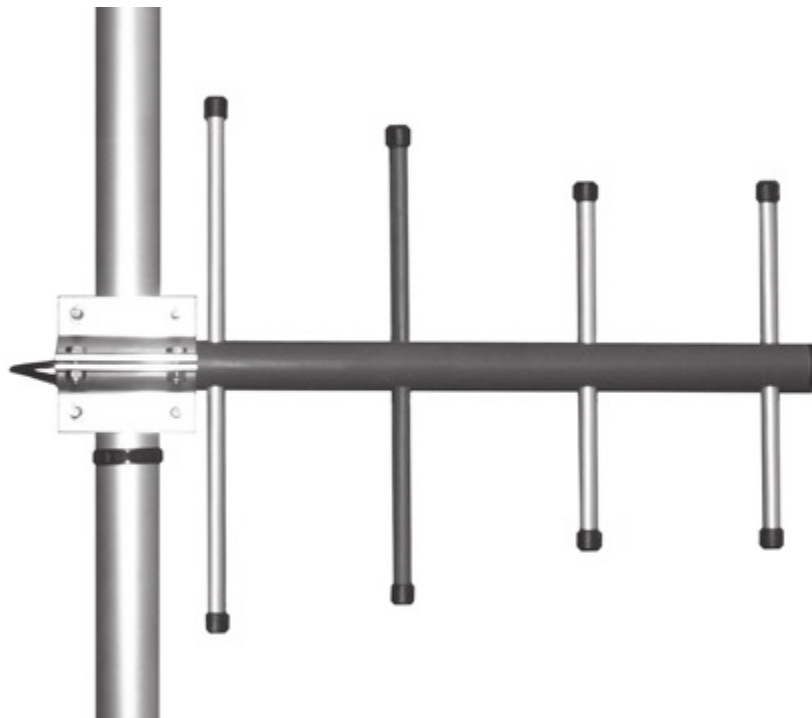




The robust, high-sensitivity modems of the Finnish radio data expert Satel ensure a long range, which however with the right antennas can be improved even more.



The CAY+ antenna is a special solution that is especially suitable for transmitting DGPS and RTK signals.



The PCTP430 is an especially robust antenna that is typically used for data transmission in the UHF range – the user benefits from a versatile, flexible and durable solution that will last for years.