

ECN-780-Q67

Embedded System with 2nd Gen Intel® Core™ i7/i5/i3 Desktop Processors



Features

- ◆ 2nd Generation Intel® Core™ i7/i5/i3, Pentium® and Celeron® desktop processors
- ◆ Intel® HD graphics supports H.264/AVC-MPEG2/VC1, DirectX 10.1 and OpenGL 3.0
- ◆ On-board 2GB DDR3 memory and one DDR3 SO-DIMM slot (system max. 10GB)
- ◆ Dual Gigabit Ethernet with Intel® AMT 7.0 support
- ◆ Dual display output supported by VGA/DVI/HDMI
- ◆ Optional 2.4GHz 802.11 b/g/n Wi-Fi
- ◆ Easy to install SATA hard drive
- ◆ USB 3.0 ports provide super speed data transfer

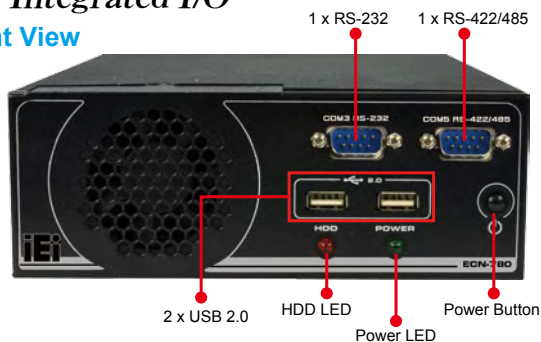


Specifications

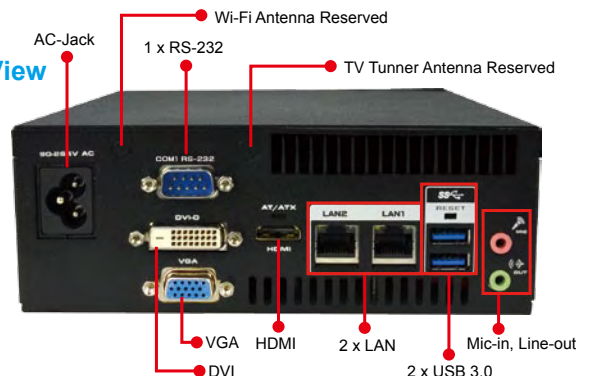
Model Name	ECN-780-Q67	
Chassis	Color	Black
	Dimensions (WxHxD) (mm)	230 x 60 x 173
	Chassis Construction	SECC
Motherboard	CPU	2nd Generation Intel® Core™ i7/i5/i3, Pentium® and Celeron® desktop processors
	Chipset	Intel® Q67
	Ethernet	Intel® 82579 PHY with Intel® AMT 7.0 supported Intel® 82583V Ethernet controller
	Audio	Realtek ALC892 HD Audio
	Memory	On-board 2GB DDR3 memory 1 x 204-pin 1066/1333 MHz dual-channel DDR3 SDRAM DIMM slot (system max. 10GB)
Storage	SATA	1 x 2.5" SATA HDD Space
System Function	USB	2 x USB 3.0 on rear side 2 x USB 2.0 on front side
	Ethernet	2 x RJ-45 Gigabit LAN
	RS-232	1 x RS-232 on rear side, 1 x RS-232 on front side
	RS-422/485	1 x RS-422/485 on front side
	Display	1 x HDMI 1 x DVI-D 1 x VGA
	Resolution	Up to 2048 x 1536 @ 75Hz (VGA), 1920 x 1200 @ 60Hz (HDMI), 1920 x 1080 @ 60Hz (DVI-D)
	Audio	1 x Mic-in, 1 x Line-out on rear
	Internal Expansions	2 x PCIe Mini slot (reserved for Wi-Fi or TV-Tuner)
	Switch	Reset switch AT/ATX switch
	Watchdog Timer	Software programmable support 1~255 sec. system reset
	Power	Power Supply
Power Consumption		19V@3.5A (Intel® Core™ i7-2600S CPU with 1333MHz 4GB DDR3 memory)
Reliability	Mounting	Desktop, Wall mount
	Operating Temperature	-20°C ~ 50°C with air flow
	Storage Temperature	-30°C ~ 60°C with air flow
	Operating Humidity	5% ~ 95%, non-condensing
	Operating Shock	Half-sine wave shock 3G, 11ms, 3 shocks per axis
	Operating Vibration	Meet MIL-STD-810F 514.5C-2 (with SSD)
	Weight (Net/Gross)	3.1 Kg/4.3 Kg
Safety & EMC	CE/FCC	

Fully Integrated I/O

• Front View



• Rear View



Easily accessible HDD disk drive

The hard disk drive can be accessed easily by removing screws from the HDD bracket.



In-chassis Power Adapter

The ECN-780 has a built-in power adapter module to prevent disorder situations and inconveniences caused by an external power adapter.

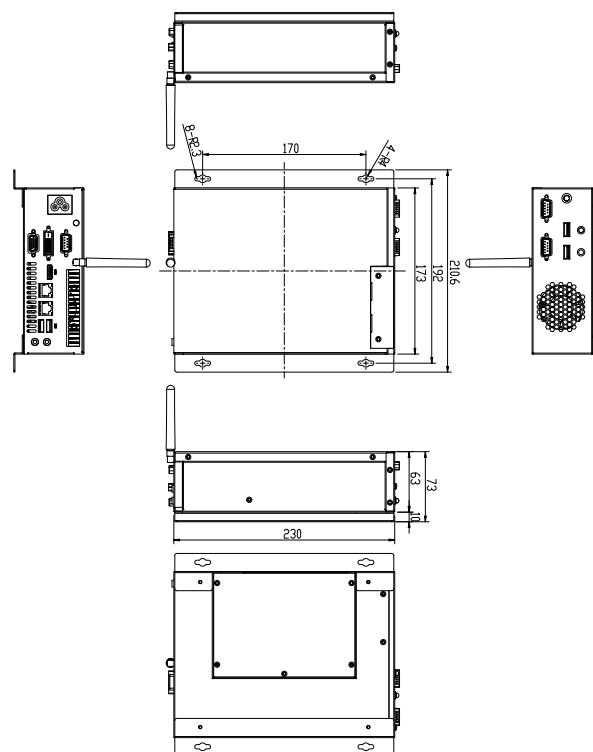


Dual display by VGA/DVI/HDMI

- The ECN-780 has three types of display interfaces - VGA, DVI and HDMI, which support dual display and high resolution
- VGA supports resolutions up to 2048x1536@75Hz
- HDMI supports resolutions up to 1920x1200@60Hz
- DVI supports resolutions up to 1920x1080@60Hz



Dimensions (Unit: mm)



Packing List

Item	P/N	Q'ty	Description
Utility CD		1	Drivers and user manual
One Key Recovery CD	7B000-000724-RS	1	
Power cord	32702-000401-100-RS	1	1500 mm, European Standard
Wi-Fi antenna (for Wi-Fi module only)	32505-000900-100-RS	1	External Antenna
Mounting brackets		2	
Mounting bracket screws	44015-030041-RS	4	Mounting brackets screw
Power cord convert cable	32000-089400-RS	1	Covert normal type cord to triangle type cord cable
Thermal pad	34100-000197-RS	1	Thermal pad; 27.5*27.5*1.0mm; Silicone;K=6; Color: Reddish gray; RoHS

Ordering Information

Part No.	Description
ECN-780-Q67-R10	Embedded system, dual display multimedia box with VGA, DVI and HDMI, Dual GbE LAN supports Intel® AMT 7.0, 2GB DDR3 memory, USB 2.0, USB 3.0, SATA 3Gb/s, 100 ~ 240VAC Input, built-in 90W adapter, black, R10
ECN-780W-Q67-R10	Embedded system, dual display multimedia box with VGA, DVI and HDMI, Dual GbE LAN supports Intel® AMT 7.0, built-in 802.11b/g/n wireless, 2GB DDR3 memory, USB 2.0, USB 3.0, SATA 3Gb/s, 100 ~ 240VAC Input, built-in 90W adapter, black, R10
CPU Selection	CPU-DT-i7-2600S 2nd Generation Intel® Core™ i7 Processor [Desktop], LGA1155, dual-core 3.4GHz, 65W, Intel® AMT
	CPU-DT-i5-2390T 2nd Generation Intel® Core™ i5 Processor [Desktop], LGA1155, dual-core 2.7GHz, 35W, Intel® AMT
	CPU-DT-i3-2100T 2nd Generation Intel® Core™ i3 Processor [Desktop], LGA1155, dual-core 2.5GHz, 35W
	CPU-DT-P-G630T Intel® Pentium® Desktop Processor, LGA1155, dual-core 2.3GHz, 35W
	CPU-DT-C-G530T Intel® Celeron® Desktop Processor, LGA1155, dual-core 2.0GHz, 35W
Memory Selection	DDR3-SO-1333-2GB SO-DIMM DDR3 1333 MHz 2GB
	DDR3-SO-1333-4GB SO-DIMM DDR3 1333 MHz 4GB