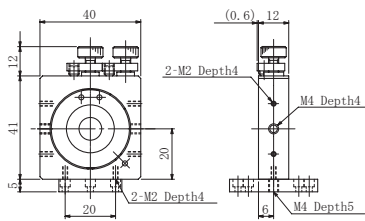
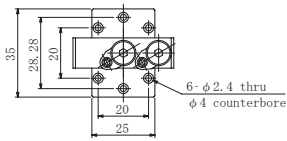


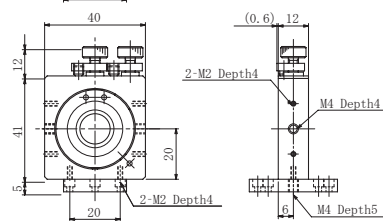
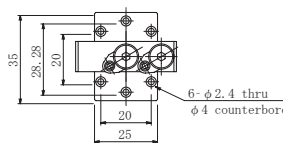
Vertical Control Gimbaled Mirror and Beamsplitter Holders



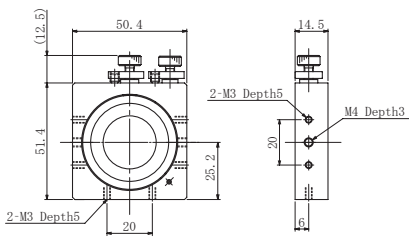
- Small footprint for use in systems where space is at a premium.
- Gimbaled mechanism reduces alignment time and complexity.
- Vertical actuators and locks provide easy access in tight quarters.
- Thin profile provides improved clearance for beam splitter applications.
- Optional baseplates available for mounting at 45°.



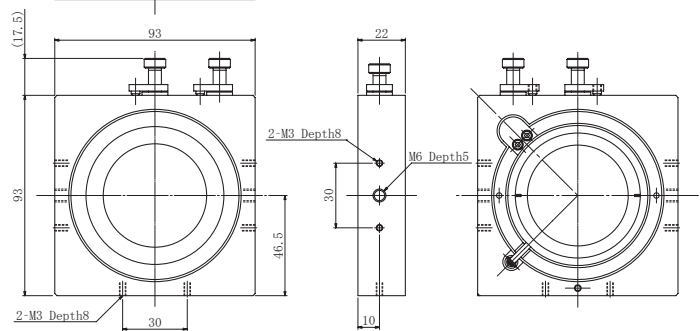
BSHL-12.7B



BSHL-15B



BSHL-25.4



BSHL-50/50.8

Specifications

Part Number	Price	Optics Size		Travel		Lead of Screw (mm)	Resolution		Weight (kg)
		Diameter (mm)	Thickness (mm)	Elevation (°)	Azimuth (°)		Elevation (°/rotation)	Azimuth (°/rotation)	
112-8010	\$ 195.00	12.7	1-3	±1.5	±1.2	0.25	0.27	0.27	0.07
112-8015	\$ 195.00	15	1-3	±1.5	±1.2	0.25	0.27	0.27	0.07
112-8020	\$ 205.00	25, 25.4	3-5	±1.2	±1.1	0.25	0.20	0.22	0.09
112-8030	\$ 290.00	50	5-8	±1.4	±1.5	0.25	0.16	0.20	0.36
112-8040	\$ 290.00	50.8	5-8	±1.4	±1.5	0.25	0.16	0.20	0.36

2001 Deere Avenue
Santa Ana, CA 92705
(949)851-5881



www.optosigma.com
email: sales@optosigma.com
ref:BSHL