



JenLas[®] fiber cw 50-400

High Power cw Fiber Lasers



Advantages:

- OEM-design
- CW or modulated up to 100 kHz
- Highly reliable components
- Perfect beam quality ($M^2 < 1.1$)
- Modulated pulse width
- Precision selection of pulse energies

Customer benefits:

- Easy integration
- Multifunctional applications
- Low cost of ownership
- Excellent edge quality
- Perfect application results
- User friendly

Applications:

- Cutting
- Drilling
- Annealing
- Sintering
- Welding
- Engraving

JenLas® fiber cw 50-400

High Power cw Fiber Lasers

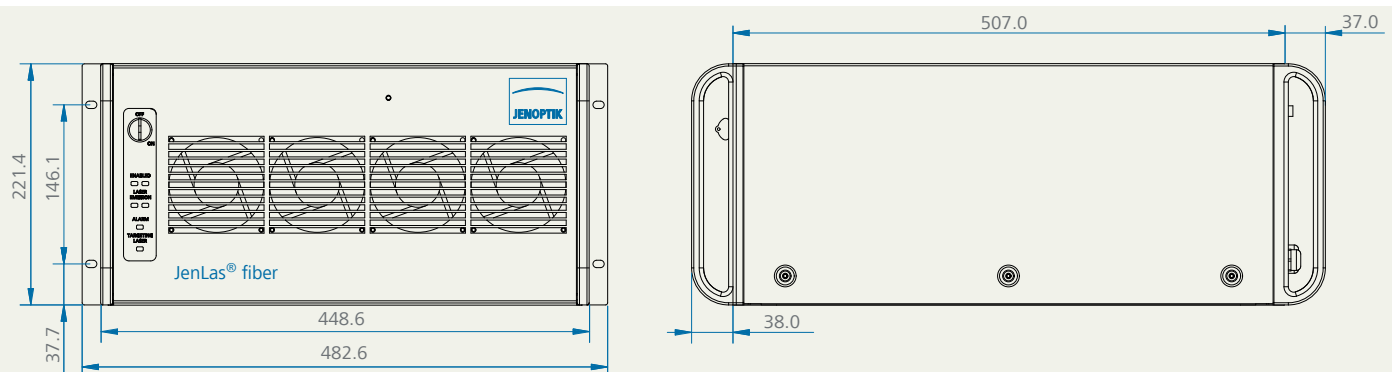
Specifications

Parameters*	JenLas® fiber cw 50	JenLas® fiber cw 100	JenLas® fiber cw 200	JenLas® fiber cw 300	JenLas® fiber cw 400
Output power	50 W	100 W	200 W	300 W	400 W
Centre wave length	1070 nm +/- 10 nm				
Operation mode	CW or modulated				
Output power variation	< +/- 0.5%				
Pulse characteristics					
Max. modulation	100 kHz				
Pulse to pulse stability	< 0.5 %				
Min. pulse width	< 10 µs				
Output beam parameter					
Beam diameter	5.0 mm +/- 0.5 mm		5.0 mm +/- 0.7 mm		
Beam parameter product	< 0.37 mm * mrad				
Beam quality (M ²)	< 1.1				
Polarization	random				
Mechanical specifications					
Size	5 U rack unit (19") 507 x 483 x 221 mm				
Weight	< 45 kg				
Operation temperature	5 °C - 40 °C				
Fiber cable length	6 m				
Cooling option	air cooled	air or water cooled	air or water cooled	water cooled	water cooled
Electrical specifications					
Operation voltage (50-60Hz)	100 - 240 V AC	100 - 240 V AC	200 - 240 V AC	200 - 240 V AC	200 - 240 V AC
Control interface			analog / RS232		

Options*:

- 10 m fiber cable length
- PSE (Pulse Shape Equalization)
- XPR (Extended Processing Range) - only for 200 and 400 W
- WLMB (Welding Low Mode Beam (M² < 4)) - only for 400 W

* Some product and parameter combinations with optional accessories may not be available. Please contact us for further technical details.



This illustration is the air cooled version / outside dimensions water and air cooled are identical

It is our policy to constantly improve the design and specifications. Accordingly, the details represented herein cannot be regarded as final and binding.



JENOPTIK | Lasers & Material Processing
 Laser Systems Business Unit
 JENOPTIK Laser, Optik, Systeme GmbH
 Goeschwitzer Strasse 25 | 07745 Jena | Germany
 Phone +49 3641 65-4015 | Fax -4011
 laser.sales@jenoptik.com | www.jenoptik-los.com

International offices:
 Japan +81 44 812 5911
 USA +1 248 446-9540

