

IOPS-Q67/H61

Intel® OPS Compliant Digital Signage Pluggable Module PC

Features

- ◆ Designed for pin compliance with Intel® OPS (Open Pluggable Specification)
- ◆ Supports DisplayPort, HDMI, UART, USB 2.0
- ◆ Intel® HD Graphics with Full HD video decoding capability
- ◆ Intel® Q67/H61 platform



Specifications

Model Name		IOPS-H61	IOPS-Q67	
Dimensions (mm)		200 x 171 x 30	200 x 171 x 30	
MB	CPU Support	Intel® LGA 1155 supports Intel® Core™ i5/i3/Celeron® (TDP 35W)	Intel® LGA 1155 supports Intel® Core™ i5/i3/Celeron® (TDP 35W)	
	Chipset	Intel® H61 Express	Intel® Q67 Express	
	Memory	Type	1333 MHz DDR3 SO-DIMM	1333 MHz DDR3 SO-DIMM
		Max. Support	8GB	8GB
	Storage	System Storage	1 x mSATA slot	1 x mSATA slot
		Removable Storage	1 x SDHC card slot	1 x SDHC card slot
	LAN	Ethernet	1 x Intel® 82579LM GbE controller	1 x Intel® 82579LM GbE controller with Intel® AMT 7.0 support
Graphics	GPU	Intel® HD Graphics	Intel® HD Graphics	
Audio		1 x 3.5mm Line-out	1 x 3.5mm Line-out	
I/O Port	Display	1 x DisplayPort 1.1	1 x DisplayPort 1.1	
	Resolution	OPS display panel up to 1920 x 1200 DisplayPort up to 2560 x 1600	OPS display panel up to 1920 x 1200 DisplayPort up to 2560 x 1600	
	USB	2 x USB 2.0	2 x USB 2.0	
	Serial	1 x RS-232 (RJ-45 to DB-9)	1 x RS-232 (RJ-45 to DB-9)	
	Special Function	Intel® AMT	N/A	Support Intel® AMT 7.0 (with Intel® Core™ i5-2390T Processor)
AC Loss Restart		On / Off / Last state	On / Off / Last state	
Power	Power input	12 ~ 19VDC	12 ~ 19VDC	
	Power Adapter	N/A	N/A	
	Mounting Kit	N/A	N/A	
Environment	Operating Temperature	0°C ~ 45°C	0°C ~ 45°C	
	OS Support	Windows® 7 / Windows® 7 Embedded support	Windows® 7 / Windows® 7 Embedded support	
	Safety & EMC	CE, FCC Class A, LVD	CE, FCC Class A, LVD	

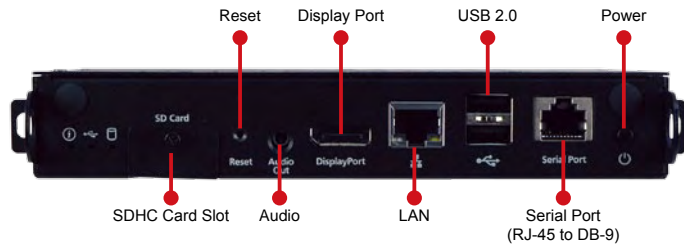
OPS (Open Pluggable Specification) module PC can be inserted into any OPS compatible display to satisfy customers' various requirements.

Compatible Display Model

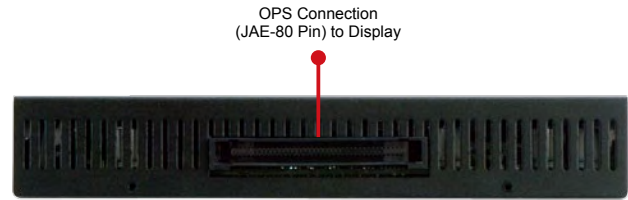
Display Brand	Display Model
NEC	X461S (46")
TVS	DS-42 (42")
TPV	DS4210MC (42")
Philips	BDL-4245E (42")
Mitsubishi	MDT551S (55")
eJump	PX420CHN-OPS (42")



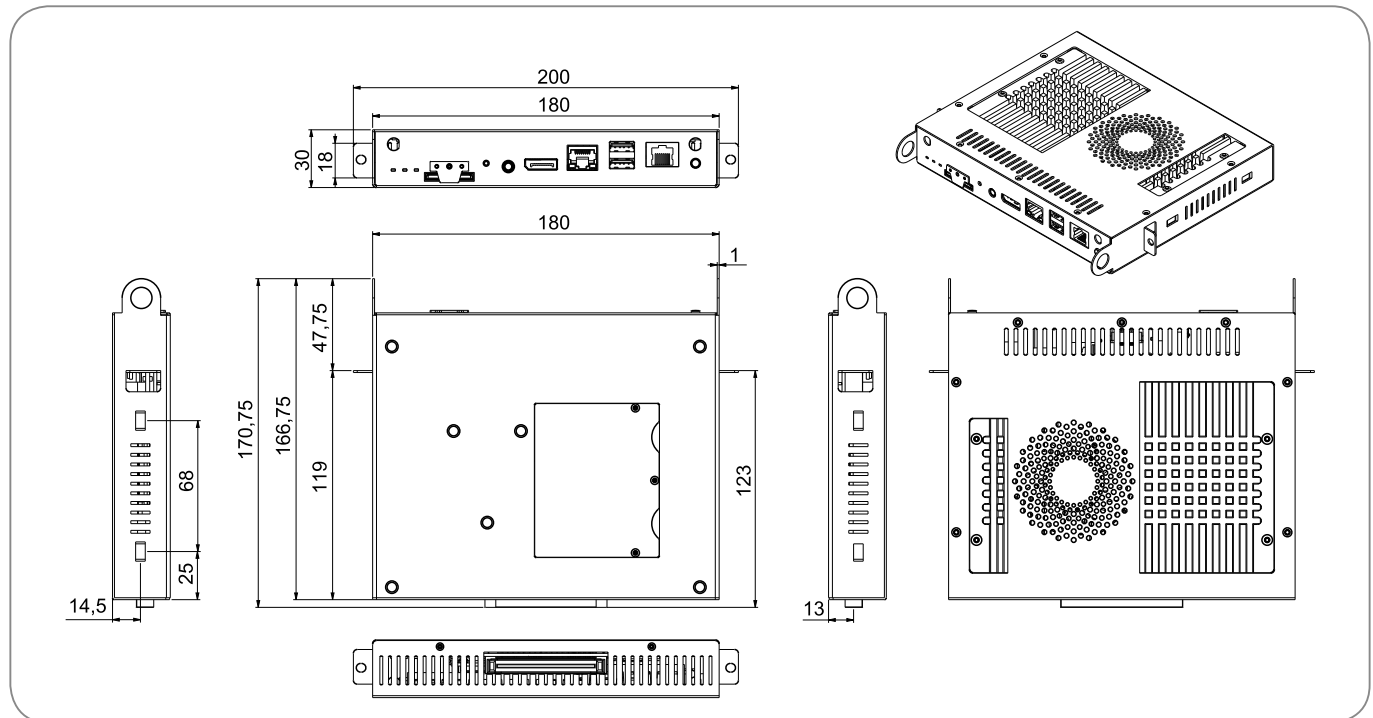
Front View



Rear View



Dimensions (Unit: mm)



Ordering Information

Part No.	Description	
IOPS-Q67-R10	OPS Module PC supports LGA1155 CPU with Intel® Q67 chipset, DDR3, DisplayPort, Intel® GbE, mSATA, JAE 80-pin connector, USB 2.0, serial port, SDHC card slot, HD Audio, 0°C ~ 45°C, Intel® AMT ready with Intel® i5 CPU, R10	
IOPS-H61-R10	OPS Module PC supports LGA1155 CPU with Intel® H61 chipset, DDR3, DisplayPort, Intel® GbE, mSATA, JAE 80-pin connector, USB 2.0, serial port, SDHC card slot, HD Audio, 0°C ~ 45°C, R10	
CPU Selection	CPU-DT-i5-2390T	2nd Generation Intel® Core™ i5 processor, LGA1155, 3M cache, dual-core 2.70GHz, 35W, Intel® AMT
	CPU-DT-i3-2100T	2nd Generation Intel® Core™ i3 processor, LGA1155, 3M cache, dual-core 2.50GHz, 35W
	CPU-DT-P-620T	Intel® Pentium® G620T processor, LGA1155, dual core 2.2GHz, 3M cache, 35W
Memory Selection	DDR3-SO-1333-2GB	SO-DIMM DDR3 1333 MHz 2GB
	DDR3-SO-1333-4GB	SO-DIMM DDR3 1333 MHz 4GB
Storage Selection	IPE-5200IM-32G	Flash disk; mSATA, SLC, 0°C ~ 70°C, R: 160MB/s W: 150MB/s, 32GB

Options

Item	P/N	Description
OS: Win 7 Embedded	IOPS-Q67-WES7E-R10	OS Image with Windows® Embedded Standard 7 E, for IOPS-Q67/H61 series

Packing List

Item	Qty	Description
Utility CD	1	Drivers and user manual
One Key Recovery CD	1	
RS-232 cable (RJ-45 to DB-9)	1	