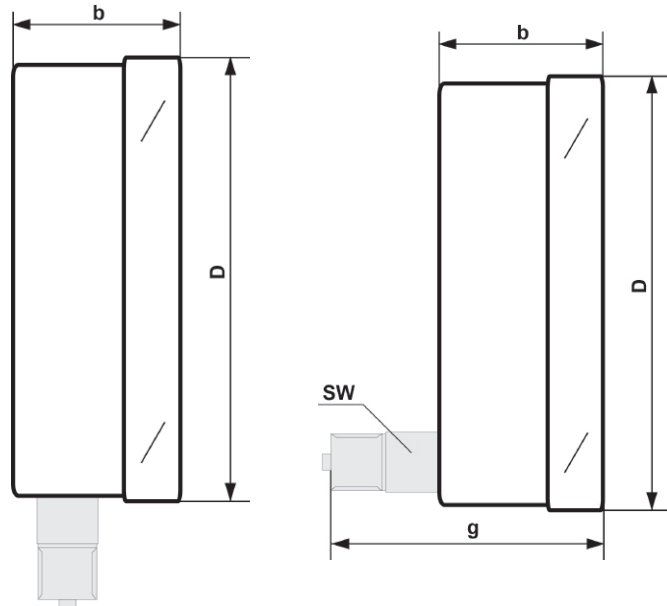
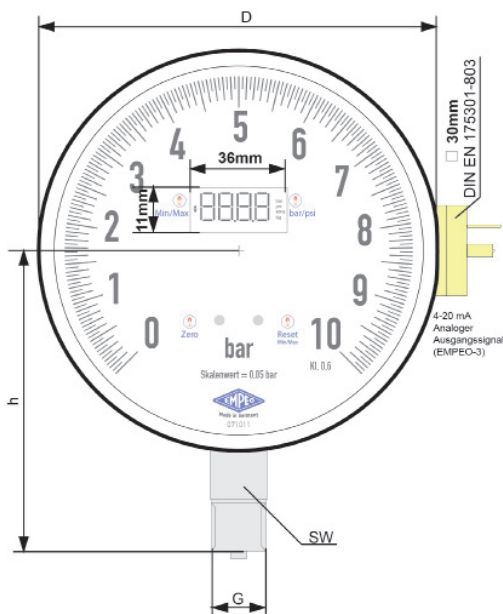


INTELLIGENT CONTROL GAUGE DOUBLE INDICATION DIGITAL AND ANALOGUE TYPE EMPEO 2 AND EMPEO 3 (WITH ANALOGUE OUTPUT SIGNAL 4-20 mA)

Our EMPEO 2 and EMPEO 3 are characterized by a double indication, which is actuated redundant. That means that both measuring systems, analogue and digital, measure independent of each other and control each other. Consequently we have the benefit of the analogue indication with its goods instrument read-out and the well visible trend changing system pressure, combined with a digital indication by a pressure sensor. In case of a deviation in the measuring system, the customer recognizes it immediately and can react directly; he will not accomplish faulty measurements and will check the gauge. The chance that both measuring systems will show faulty values goes to zero.

Diameter:	160 mm
Accuracy:	0,6 % (0,25 % Digital) to the full scale value
Execution:	case with bayonet ring, stainless steel with double indication, one analogue indication with a pointer and a 270° scale, one digital indication with 4 alpha-numeric indication with Min/Max measured value memory and zero-point calibration (Zero-function). Digital indication switchable from bar to psi.
Electric power supply:	battery type ER 14250/W, when display is blinking, the battery has to be replaced.
Sampling rate:	once per second
Measuring system:	copper alloy
Dial:	aluminium white, writing black
Window:	glass, optional laminated safety glass
Connection:	G 1/2, 1/2 NPT ...
Connection position:	bottom or backside excentric
Options:	<ul style="list-style-type: none"> - measuring system stainless steel - Battery (as spare part) - With analogue output signal 4-10 mA (Type EMPEO 3) - sampling rate up to five times per second - further options on inquiry





NG	D	b	h	G	g	SW
160	160	55	115	1/2	94	27

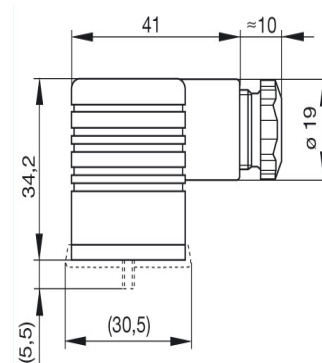
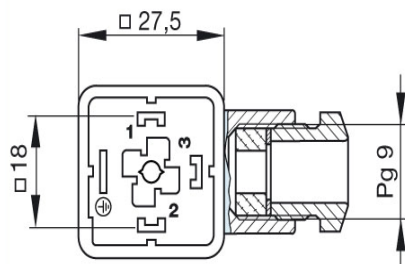
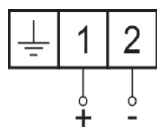
size in mm

The execution with analogue output signal 4-20mA is delivered with a rectangle plug-in connector design A acc. EN 175301-803 (DIN 43650).

Cable screw connect: PG9

Cable cross-section: max. 1,5 mm²

Number of poles: 2+PE



We reserve the right to change technical details.