

P-Serie

Single

600~2400 W



■ Features:

- 0.98 typical of power factor
- High reliability and low ripple noise
- Built-in remote sense function
- Built-in power good signal output
- Built-in remote ON/OFF control
- Programmable output voltage
- Forced current sharing at parallel operation
- Output short circuit / over voltage / overload / over temperature protections
- CB, CE, UL, TUV approved

Model	600S	800S	1K2S	1K5S	2K0S	2K4S
DC Voltage Adj. Range	+3 ~ -12% Typical adjustment by potentiometer ; 20% ~ 100% adjustment by 1 ~ 5 VDC external control					
AC Voltage Range	180~260VAC / 260 ~ 370VDC					
AC Inrush Current (Typ.)	60A / 230VAC		120A / 230VAC		180A / 230VAC	
Over Load	105 ~ 115% rated output power					
	Current limiting, delay shut down output voltage, re-power on to recover					
Over Voltage	110 ~ 135% follow to output set up point					
	Shut down output voltage, re-power on to recover					
Working Temp.	0 ~ +50°C@100% Load, +65°C@50% Load ; 20% ~ 90% RH non-condensing					
Withstand Voltage	I/P - O/P: 3KVDC; I/P - FG: 1.5KVAC ; O/P ~ FG : 0.5KVAC					
EMC & Safety Standards	UL1950, TUV EN60950-1 Approved					
	Compliance to EN55022 (CISPR 22) Class A					
	Compliance to EN61000-3-2,3					
	Compliance to EN55024					
Packing	291x120x67.5mm		290x120x132.5mm		320x212x123.9mm	
	2.3kg ; 8sets / 22kg / Carton		4.5kg ; 4sets / 19kg / Carton		8.9kg ; 1sets / 10kg / Carton	

Specifications subject to change without notice

Model		600S-P005	600S-P009	600S-P012	600S-P015	600S-P018	600S-P024	600S-P036	600S-P048	600S-P060
Output	DC Voltage Range	5V	9V	12V	15V	18V	24V	36V	48V	60V
	Rated Current	100A	66A	50A	40A	33.3A	25A	16.6A	12A	10A
	Rated Power	500W	594W	600W	600W	600W	600W	598W	576W	600W
	Ripple & Noise (Max.)	150mVp-p	150mVp-p	150mVp-p	150mVp-p	180mVp-p	240mVp-p	360mVp-p	480mVp-p	600mVp-p
Input	Efficiency (Typ.)	80%	82%	84%	85%	86%	89%	89%	90%	90%

Model		800S-P009	800S-P012	800S-P015	800S-P018	800S-P024	800S-P036	800S-P048	800S-P060
Output	DC Voltage Range	9V	12V	15V	18V	24V	36V	48V	60V
	Rated Current	88A	66A	53A	44.4A	33A	22.2A	16A	13A
	Rated Power	792W	792W	795W	800W	792W	800W	768W	780W
	Ripple & Noise (Max.)	150mVp-p	150mVp-p	150mVp-p	180mVp-p	240mVp-p	360mVp-p	480mVp-p	600mVp-p
Input	Efficiency (Typ.)	83%	84%	85%	86%	88%	88%	89%	90%

Model		1K2S-P005	1K2S-P009	1K2S-P012	1K2S-P015	1K2S-P018	1K2S-P024	1K2S-P036	1K2S-P048	1K2S-P060
Output	DC Voltage Range	5V	9V	12V	15V	18V	24V	36V	48V	60V
	Rated Current	200A	133A	100A	80A	66.6A	50A	33.3A	24A	20A
	Rated Power	1000W	1200W	1200W	1200W	1200W	1200W	1200W	1152W	1200W
	Ripple & Noise (Max.)	150mVp-p	150mVp-p	150mVp-p	150mVp-p	180mVp-p	240mVp-p	360mVp-p	480mVp-p	600mVp-p
Input	Efficiency (Typ.)	78%	83%	84%	85%	85%	88%	89%	89%	90%

Model		1K5S-P009	1K5S-P012	1K5S-P015	1K5S-P018	1K5S-P024	1K5S-P036	1K5S-P048	1K5S-P060
Output	DC Voltage Range	9V	12V	15V	18V	24V	36V	48V	60V
	Rated Current	166A	125A	100A	83.3A	62A	41.6A	31A	25A
	Rated Power	1494W	1500W	1500W	1500W	1488W	1497W	1488W	1500W
	Ripple & Noise (Max.)	150mVp-p	150mVp-p	150mVp-p	180mVp-p	240mVp-p	360mVp-p	480mVp-p	600mVp-p
Input	Efficiency (Typ.)	83%	84%	85%	85%	88%	88%	89%	90%

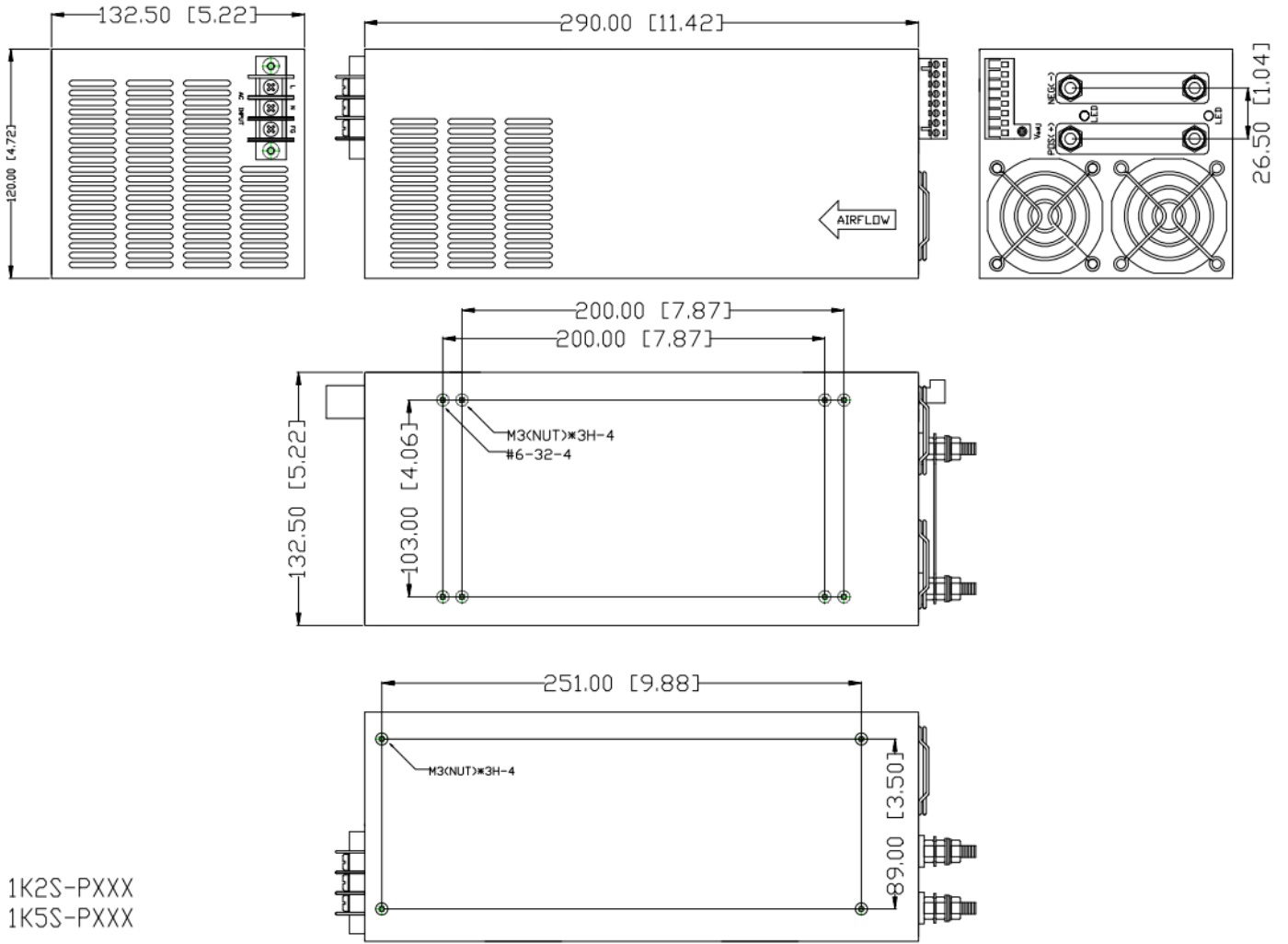
Model		2K0S-P009	2K0S-P012	2K0S-P015	2K0S-P018	2K0S-P024	2K0S-P036	2K0S-P048	2K0S-P060
Output	DC Voltage Range	9V	12V	15V	18V	24V	36V	48V	60V
	Rated Current	222A	166A	133A	111.1A	83A	55.5A	41A	33A
	Rated Power	1998W	1992W	1995W	2000W	1992W	1998W	1968W	1980W
	Ripple & Noise (Max.)	150mVp-p	150mVp-p	150mVp-p	180mVp-p	240mVp-p	360mVp-p	480mVp-p	600mVp-p
Input	Efficiency (Typ.)	83%	84%	85%	86%	88%	88%	89%	90%

Model		2K4S-P009	2K4S-P012	2K4S-P015	2K4S-P018	2K4S-P024	2K4S-P036	2K4S-P048	2K4S-P060
Output	DC Voltage Range	9V	12V	15V	18V	24V	36V	48V	60V
	Rated Current	266A	200A	160A	133.3A	100A	66.6A	50A	40A
	Rated Power	2394W	2400W	2400W	2400W	2400W	2398W	2400W	2400W
	Ripple & Noise (Max.)	150mVp-p	150mVp-p	150mVp-p	180mVp-p	240mVp-p	360mVp-p	480mVp-p	600mVp-p
Input	Efficiency (Typ.)	83%	84%	85%	86%	88%	88%	89%	90%

P-Series

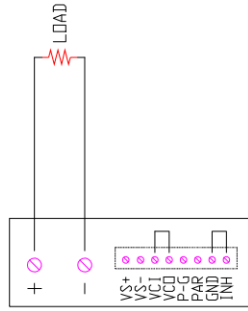
Single

600~2400 W

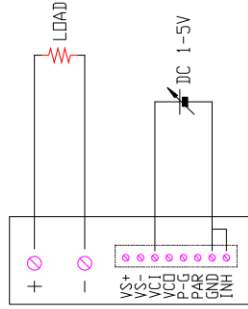


1K2S-PXXX
1K5S-PXXX

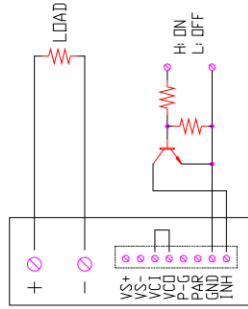
600S-P, 800S-P, 1K2S-P,
1K5S-P, 2K0S-P, 2K4S-P
INSTRUCTION MANUAL



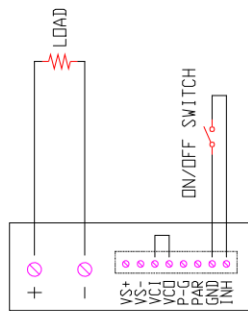
USING INTERNAL VOLTAGE CONTROL



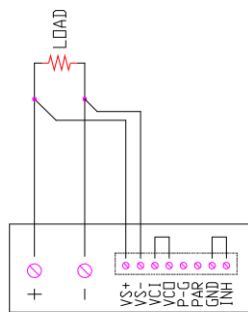
OUTPUT VOLTAGE ADJUST WITH DC 1-5V



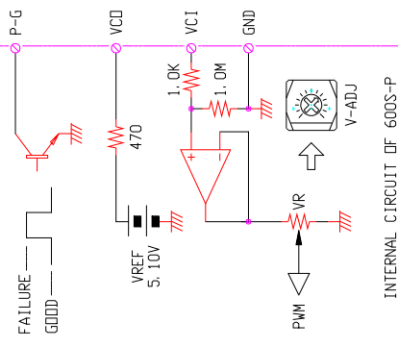
ON/OFF CONTROL BY TRANSISTOR



ON/OFF CONTROL BY SWITCH

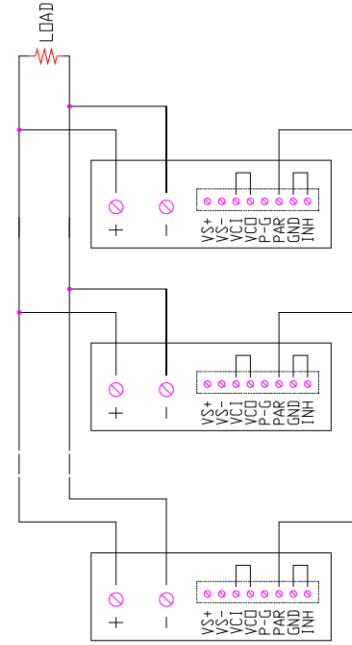


REMOTE SENSING

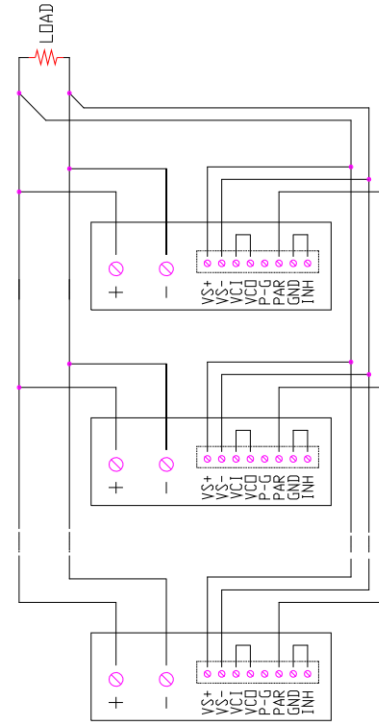


INTERNAL CIRCUIT OF 600S-P

VCI, VCD AND P-G SIGNAL



PARALLEL OPERATION WITHOUT REMOTE SENSING



PARALLEL OPERATION WITH REMOTE SENSING